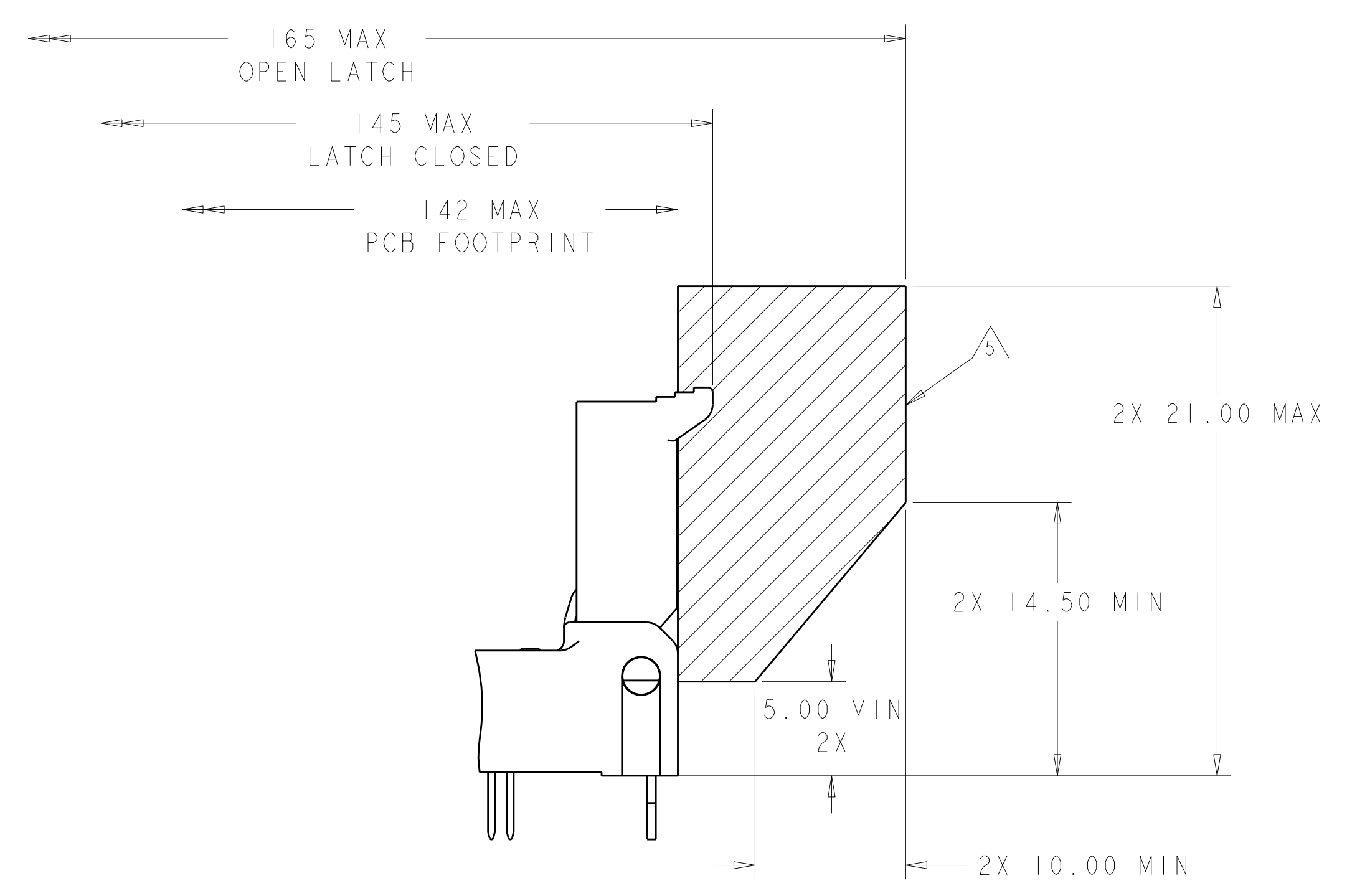
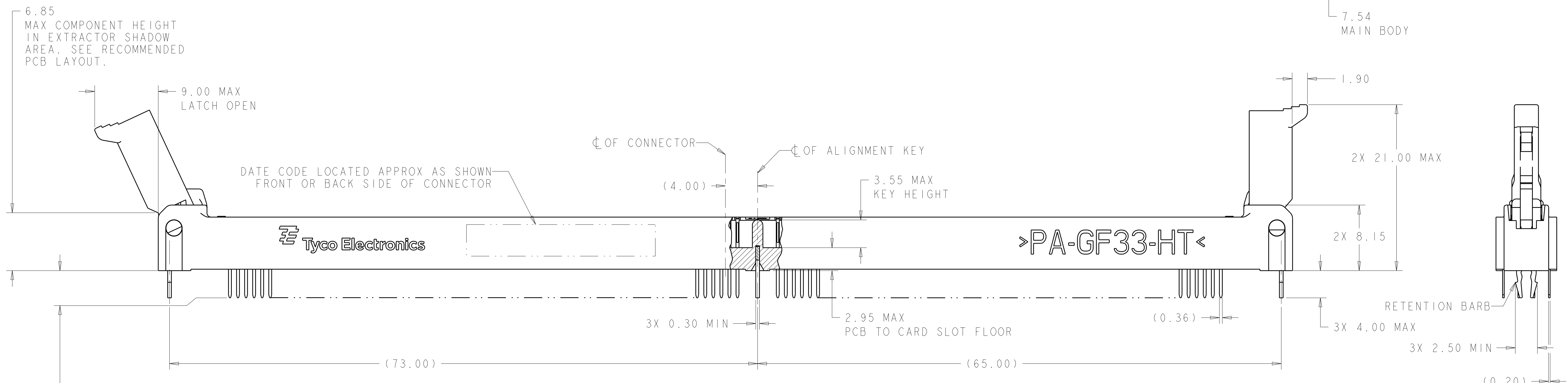
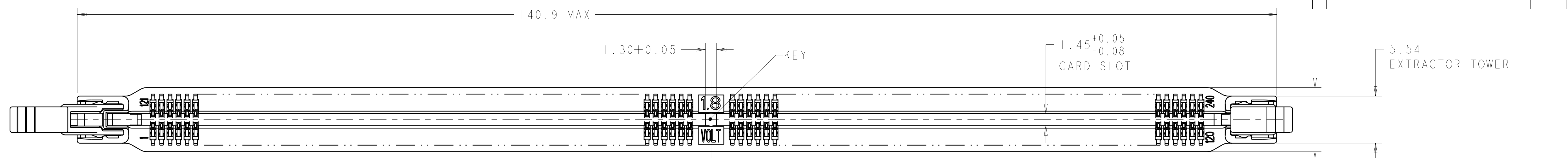


LOC	DIST	REV	DATE	BY	APPD
GP	00	A1	14SEP10	D.S.	S.Y.

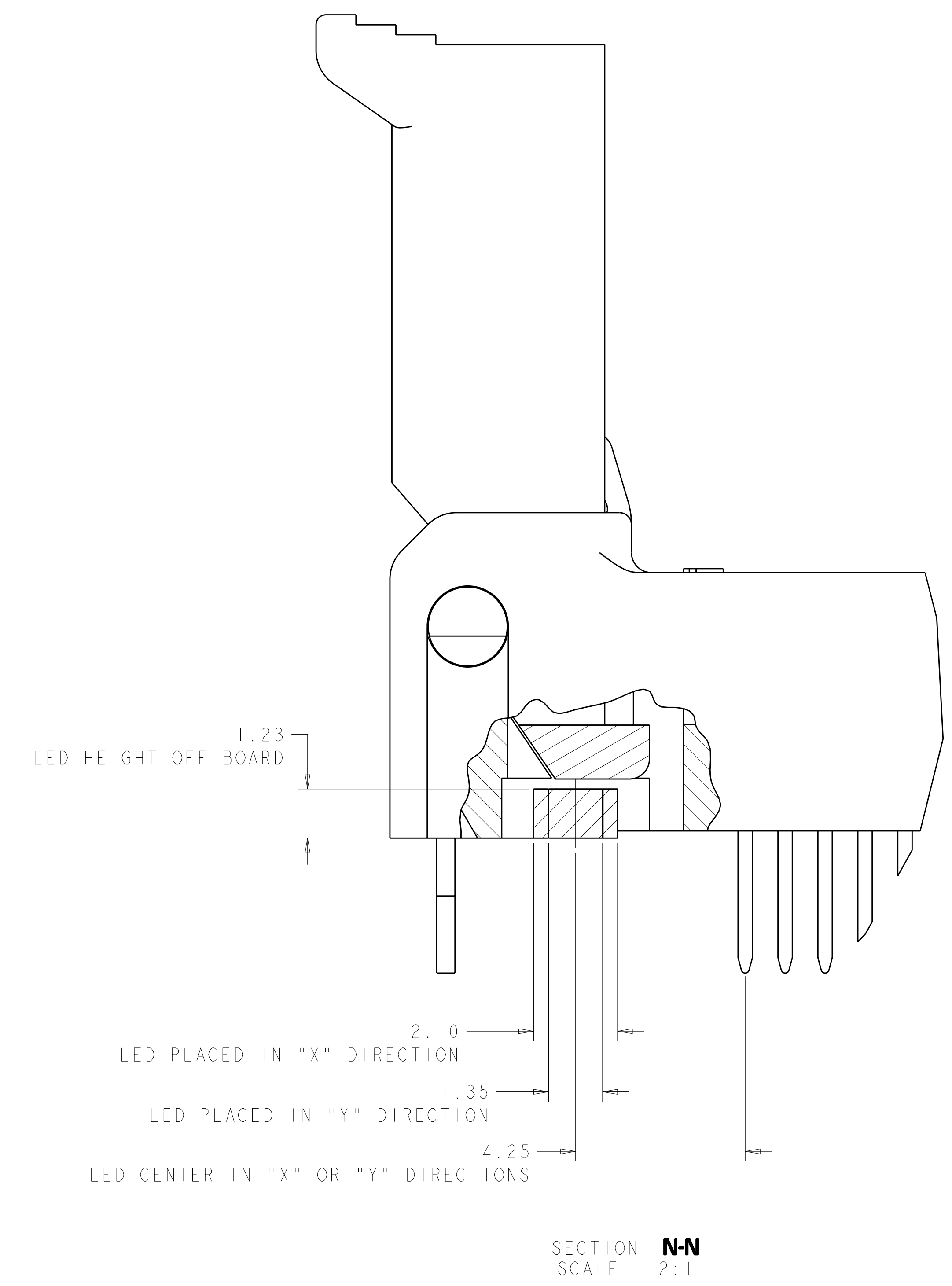
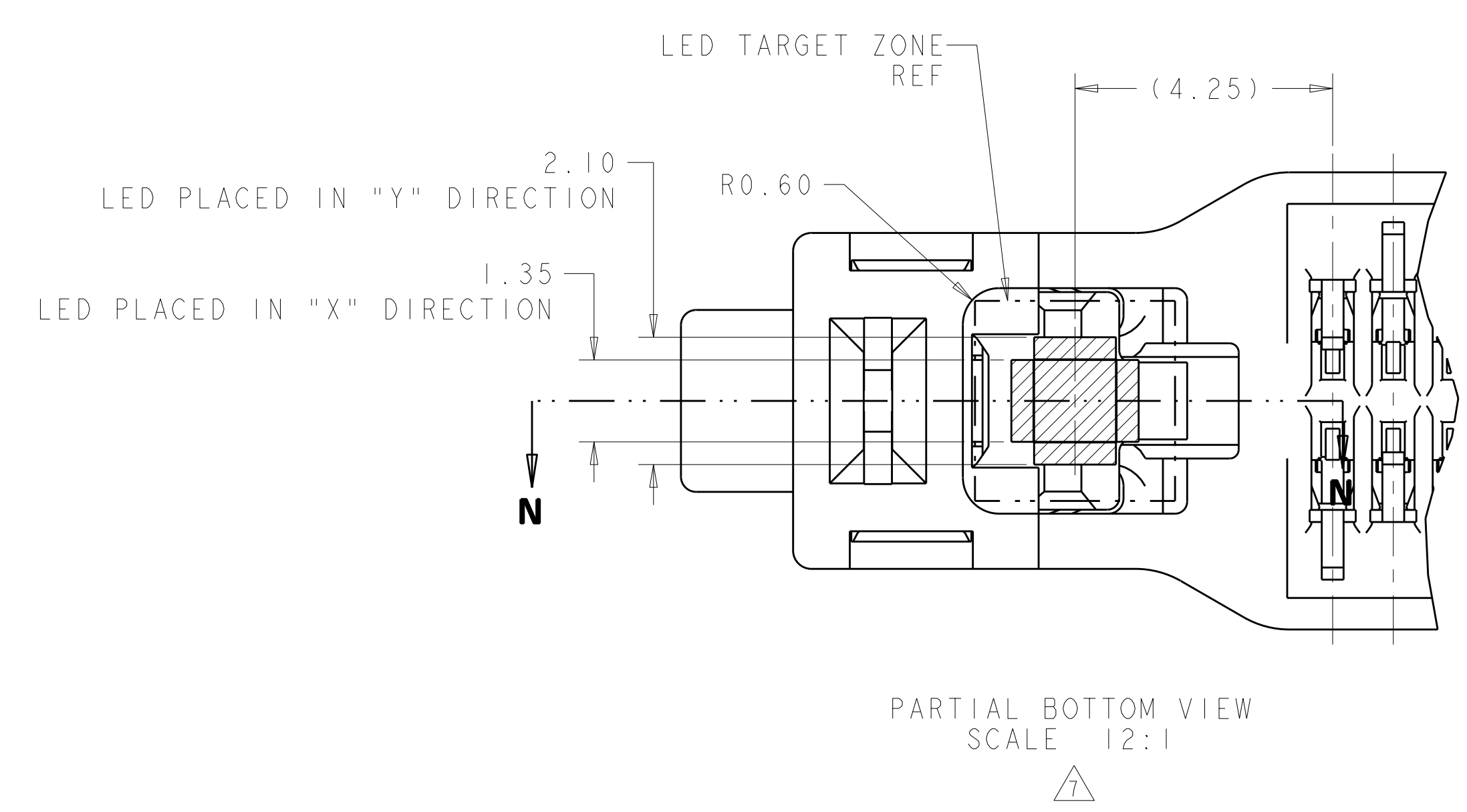


- MATERIALS:**
 HOUSING: HIGH TEMPERATURE NYLON, BLACK, UL94 V-0
 EXTRACTOR: HIGH TEMPERATURE THERMOPLASTIC
 CONTACTS: COPPER ALLOY
 RETENTION BARB: STAINLESS STEEL
- INTERFACE FINISH:**
 (1) 0.00076 MIN THK GOLD OVER 0.00127 MIN THK NICKEL
 (2) 0.00038 MIN THK GOLD OVER 0.00127 MIN THK NICKEL
 (3) 0.00008 MIN THK GOLD OVER 0.00127 MIN THK NICKEL
- FINISHED HOLE SIZE:** 0.15 MAXIMUM ANNULAR RING.
- KEEP OUT ZONE.**
- KEEP OUT AREA RESERVED FOR SOCKET EXTRACTORS, BOTH ENDS.**
- SOLDERTAIL FINISH:**
 0.00300 MIN THK MATTE TIN OVER 0.00127 MIN THK NICKEL.
- LED LOCATION AS APPLICABLE PER CUSTOMER.**
- DATUM -G- IS CONNECTOR SIDE SURFACE OF PCB.**
9. COMPLIES WITH JEDEC SPECIFICATION SO-001.
10. CENTER HOLE CAN BE EITHER 2.45 BY 1.80 AS SHOWN OR A 2.45 DIAMETER ROUND HOLE.

CONTACT COLOR	CONTACT GOLD INTERFACE	TAIL LENGTH	PART NUMBER
NATURAL	0.00008 MIN	4.20	1888669-9
		3.38	1888669-8
		2.87	1888669-7
NATURAL	0.00038 MIN	4.20	1888669-6
		3.38	1888669-5
		2.87	1888669-4
NATURAL	0.00076 MIN	4.20	1888669-3
		3.38	1888669-2
		2.87	1888669-1

DIMENSIONS: mm TOLERANCES UNLESS OTHERWISE SPECIFIED: 9 PLC ±.5 1 PLC ±0.5 2 PLC ±0.13 3 PLC ±0.013 4 PLC ±0.001 ANGLES ±.0001		DWN: D. RINGLER 29SEP2006 CHK: J. PENNYPACKER 29SEP2006 APVD: M. ROWERS 22DEC2006	Tyco Electronics Harrisburg, PA 17105-3608
MATERIAL: FINISH:	PRODUCT SPEC: 108-2111 APPLICATION SPEC: 114-13087 WEIGHT: - CUSTOMER DRAWING	NAME: SOCKET ASSEMBLY, DDR2 VLP DIMM, SOLDER TAIL, 240 POSITION SIZE: 00779 CAGE CODE: C=1888669	RESTRICTED TO: - SCALE: 4:1 SHEET: 1 OF 3 REV: A1

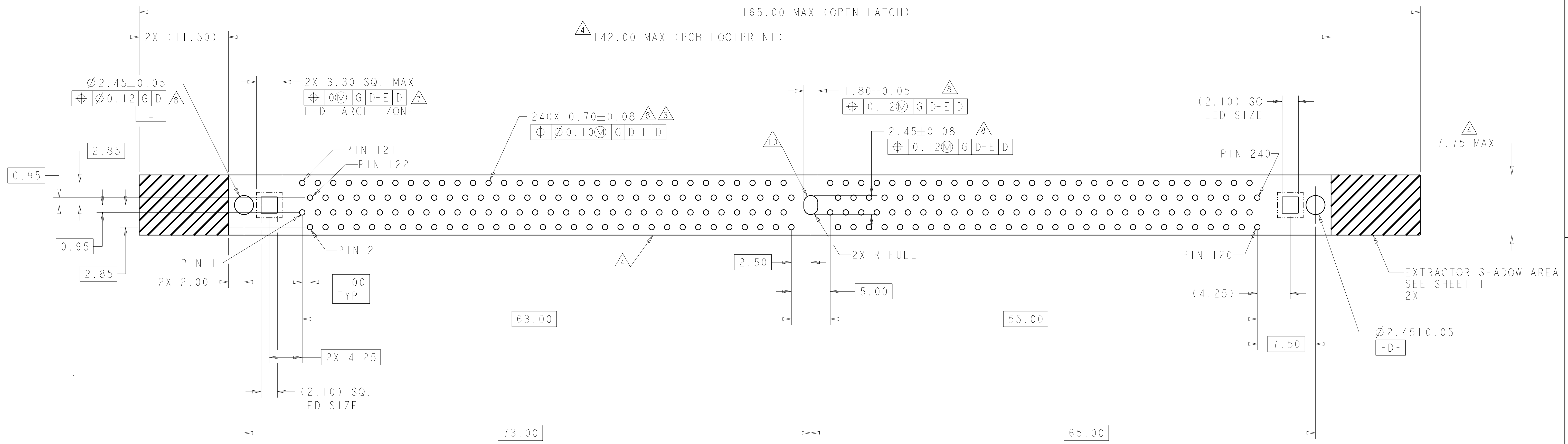
LOC	DIST	REVISIONS			
P	LTB	DESCRIPTION	DATE	DWN	APVD
GP	00	SEE SHEET 1	-	-	-



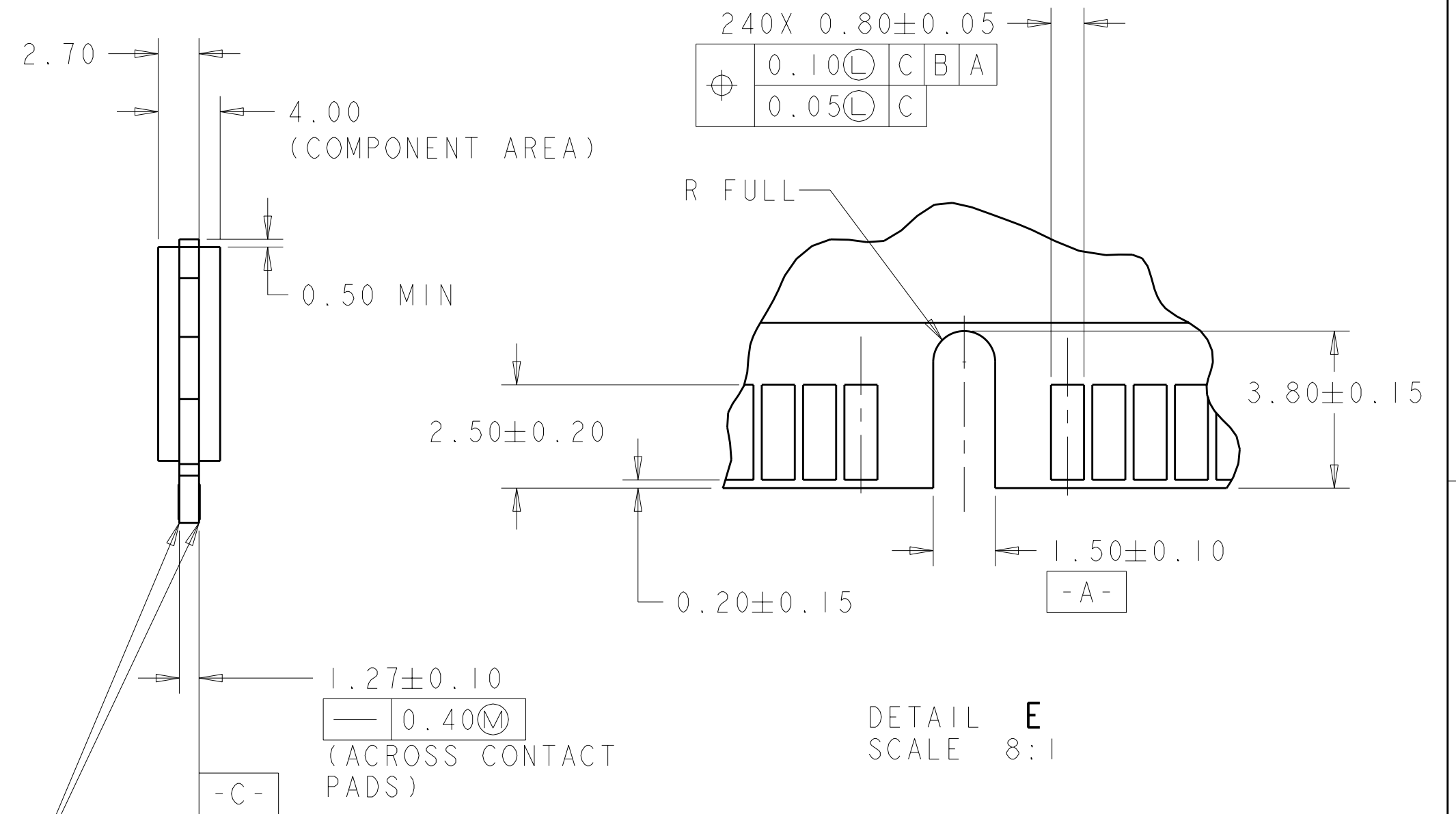
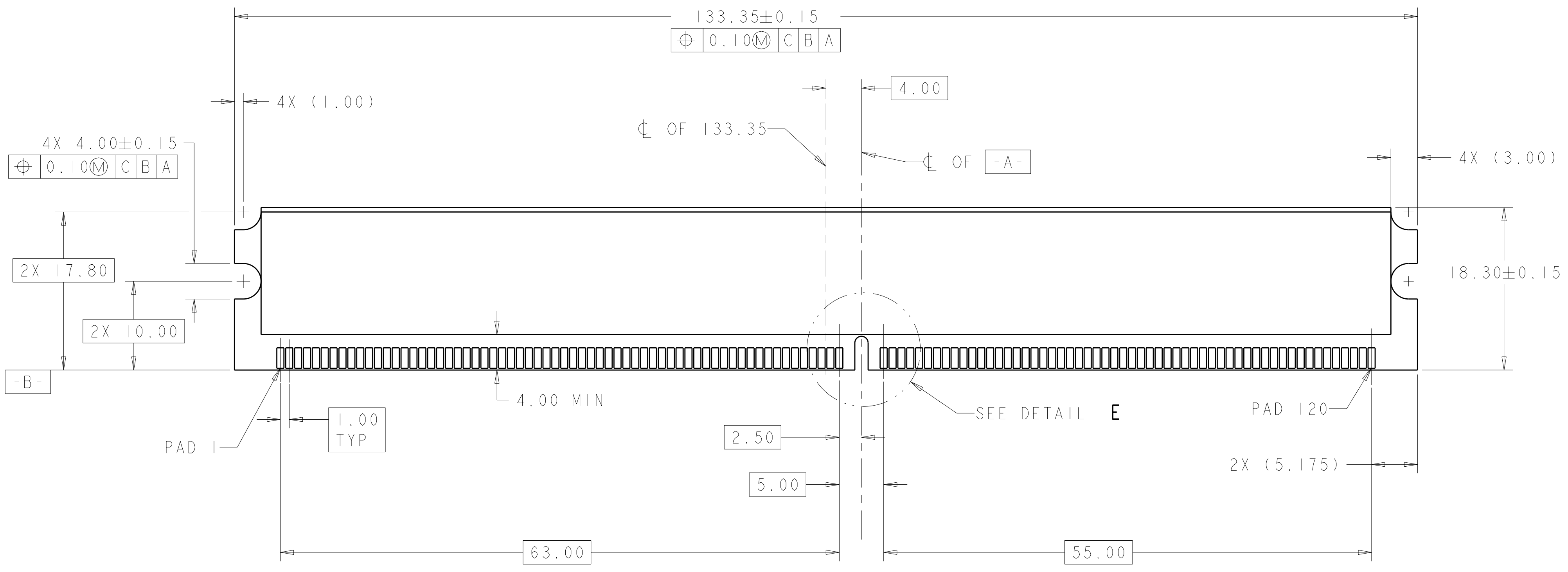
<small>THIS DRAWING IS UNPUBLISHED. RELEASED FOR PUBLICATION BY TYCO ELECTRONICS CORPORATION. IT IS SUBJECT TO CHANGE WITHOUT NOTICE AND WITHOUT OBLIGATION. SHOULD BE CONTACTED FOR THE LATEST REVISION.</small>		DWN D. RINGLER 29SEP2006 CHK J. PENNYPACKER 29SEP2006 APVD M. ROWERS 22DEC2006	Tyco Electronics Harrisburg, PA 17105-3608
DIMENSIONS: mm 	TOLERANCES UNLESS OTHERWISE SPECIFIED: 9 PLC ±.5 1 PLC ±0.5 5 PLC ±0.13 4 PLC ±0.013 ANGLES ±0.0001 FINISH #	NAME SOCKET ASSEMBLY, DDR2 VLP DIMM, SOLDER TAIL, 240 POSITION PRODUCT SPEC 108-2111 APPLICATION SPEC SIZE CAGE CODE DRAWING NO. RESTRICTED TO 114-13087 WEIGHT CUSTOMER DRAWING	SCALE 4:1 SHEET 2 OF 3 REV A1

LOC	DIST	REV	DATE	BY	APPD
GP	00				

REVISIONS		DATE	BY	APPD
1	SEE SHEET 1			



RECOMMENDED PCB LAYOUT
 VIEWED FROM CONNECTOR SIDE



RECOMMENDED MODULE LAYOUT
 SCALE 3:1

NOTE: REFER TO JEDEC MO-237 VARIATIONS DB, EB, FB, GB FOR COMPLETE MODULE DETAILS

0.20-0.05 X 45° OPTIONAL
 MUST NOT HIT GOLD CONTACTS

<small>THIS DRAWING IS UNPUBLISHED. RELEASED FOR PUBLICATION BY TYCO ELECTRONICS CORPORATION. ALL RIGHTS RESERVED.</small>		DWN: D. RINGLER 29SEP2006 CHK: J. PENNYPACKER 29SEP2006 APVD: M. ROWERS 22DEC2006	Tyco Electronics Harrisburg, PA 17105-3608
DIMENSIONS: mm TOLERANCES UNLESS OTHERWISE SPECIFIED: 9 PLC ±0.5 5 PLC ±0.13 4 PLC ±0.013 ANGLES ±0.0001	PRODUCT SPEC: 108-2111 APPLICATION SPEC: 114-13087 WEIGHT: - FINISH: -	NAME: SOCKET ASSEMBLY, DDR2 VLP DIMM, SOLDER TAIL, 240 POSITION SIZE: A1 CAGE CODE: 00779 DRAWING NO: C=1888669	RESTRICTED TO: - SCALE: 1:1 SHEET: 3 OF 3 REV: A1
MATERIAL: -		CUSTOMER DRAWING	